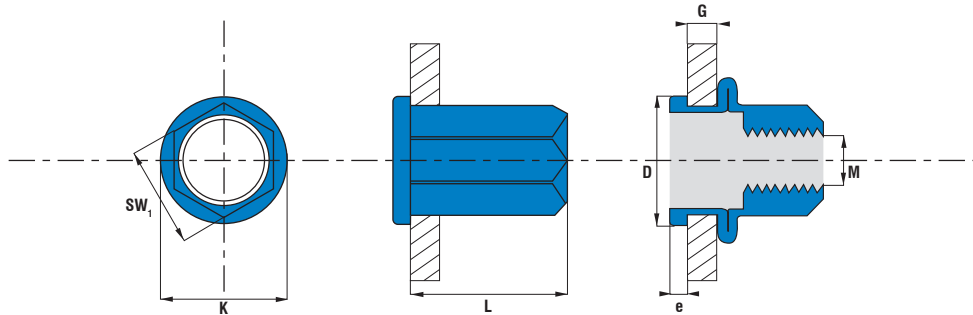


**ÉCROU HEXAGONAL / ACIER ZINGUÉ / TÊTE PLATE
BLIND RIVET NUT / HEXAGON BODY / STEEL ZINC PLATED / CYLINDRICAL HEAD** **HCD**



CARACTÉRISTIQUES / CHARACTERISTICS

Écrou hexagonal	Blind nut rivet - hexagon body
Acier zingué	Steel zinc plated
Tête plate	cylindrical head

DIMENSIONS / DIMENSIONS

REF/PART	M	SW	SW1	SE	D	e	L	G
	Ø(mm)	(mm)	(mm)	(mm)	(mm)	(mm)	(mm)	min-max(mm)
HCD0430	M4	6.0	6.1	6.8	9.3	1.0	12.5	0.5-3.0
HCD0530	M5	7.0	7.1	7.9	10.3	1.0	14.5	0.5-3.0
HCD0630	M6	9.0	9.1	10.2	12.3	1.5	17.0	0.5-3.0
HCD0830	M8	11.0	11.1	12.4	14.3	1.5	19.0	0.5-3.0
HCD1040	M10	13.0	13.1	14.7	16.3	2.0	24.0	1.0-4.0

RÉSISTANCES / RESISTANCES

	COUPLE MAXI RECOMMANDÉ RECOMMENDED MAXI TORQUE	TRACTION / PULL-OUT	CISAILLEMENT / SHEAR
M (mm)	(Nm)	(N)	(N)
M4	7.9	6 400	2 300
M5	12.2	11 000	3 600
M6	20.5	18 000	4 300
M8	26.7	28 000	5 000
M10	40.0	30 000	6 000